



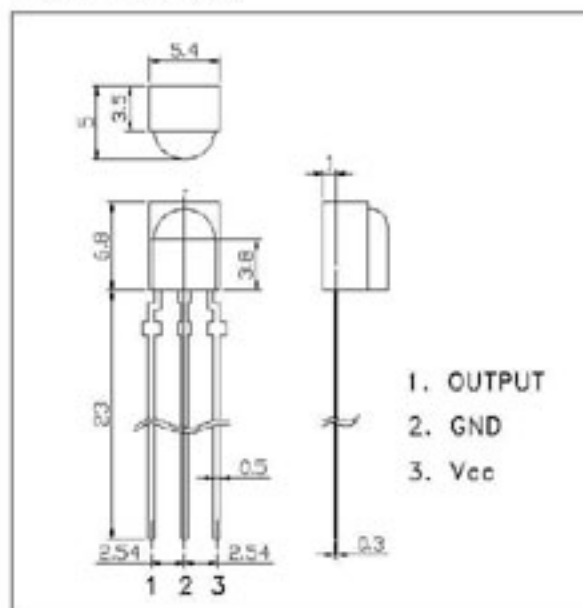
1. Features:

- ◇ Miniature size
- ◇ Built-in exclusive IC
- ◇ Wide half angle & long reception distance
- ◇ Good noise-proof capability
- ◇ High immunity against ambient light
- ◇ High protection ability to EMI
- ◇ Side view

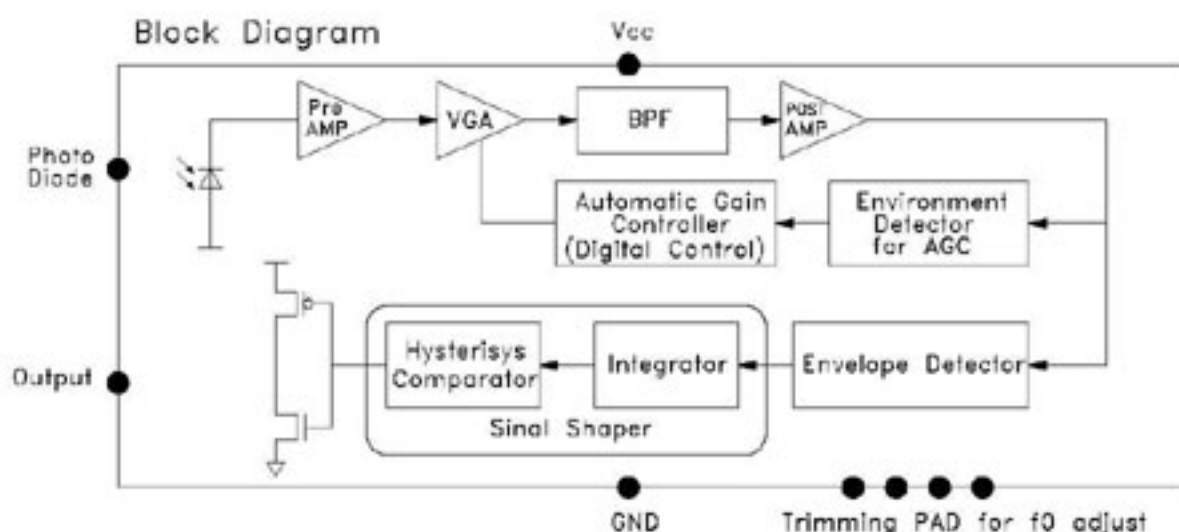
2. Applications

- ◇ AV instruments(Audio, TV, VCR, CD player)
- ◇ Home appliances (Air-conditioner, Fan, Light)
- ◇ Remote control for wireless devices

Dimensions



3. Block Diagram



4. Absolute Maximum Ratings

(Ta=25°C)

Parameter	Symbol	Ratings	Unit
Supply Voltage	Vcc	6.0	V
Operating Temperature	Topr	-10~+60	°C
Storage Temperature	Tstg	-20~+75	°C
Soldering Temperature*1	Tsol	240	°C

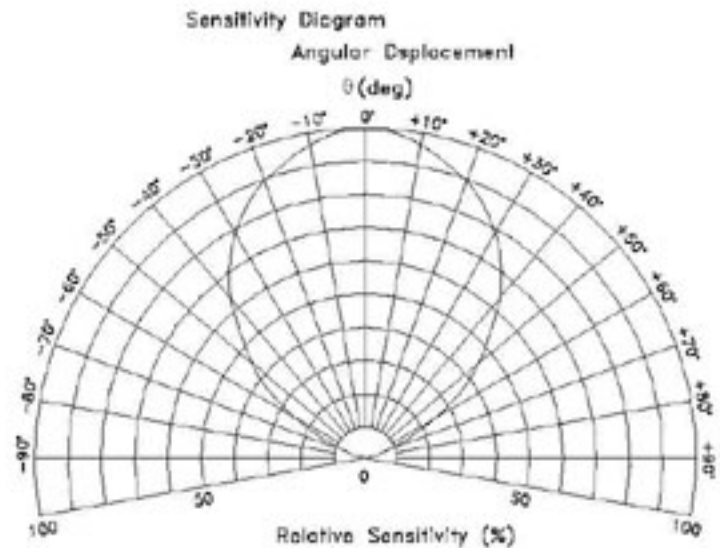
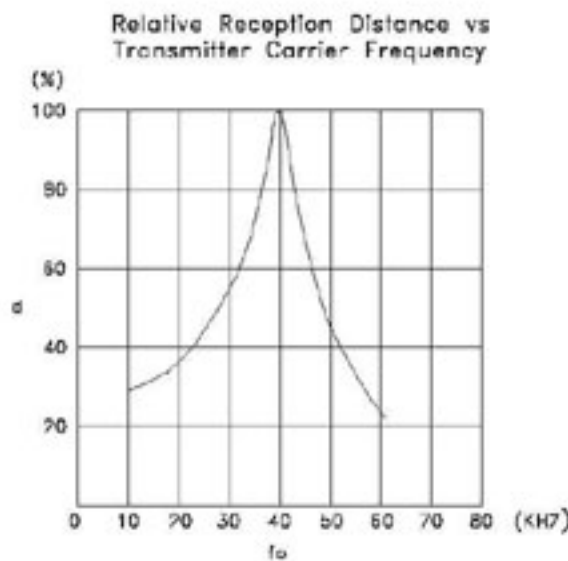
*1 At the position of 2mm from the bottom of the package within 5seconds.



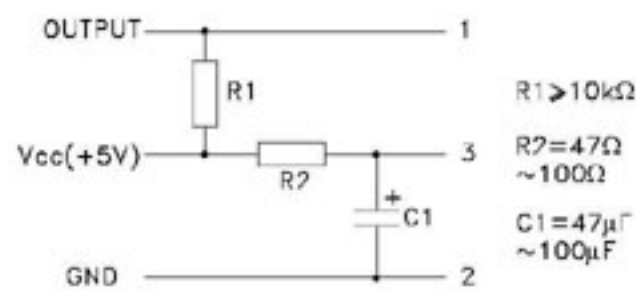
5. Electro-optical Characteristics

(Ta=25°C)

Parameter	Symbol	Conditions	Min	Typ.	Max.	Unit
Supply voltage	Vcc		2.7	5.0	5.5	V
Current Consumption	Icc	Input Signal=0		0.8		
Reception Distance	d	200±5Lux	θ=0°	15		m
			θ=±45°	8		m
Half Angle	Δθ			±45		deg
B.P.F. Center Frequency	Fo			37.9		kHz
Peak Wavelength	λp			940		nm
Signal Output	So		—Active Low—			
High Level Output Voltage	Voh		Vcc-0.5			V
Low Level Output Voltage	Vol			0.2	0.4	V
High Level Pulse Width	Twh	Burst Wave=600 μ s	500	600	700	μs
Low Level Pulse Width	Twl		500	600	700	μs



In case of noisy power supply, please serially insert 100Ω resistor and about 47μF electrolytic capacitor in Vcc line and ground as follows:





6. Reliability Test Items

Test Items	Test Conditions	Ratings
High Temperature Storage	Ta=60°C, Vcc=5.0V	t=240hr.
Low Temperature Storage	Ta=-10°C, Vcc=5.0V	t=240hr.
High Temperature High Humid Storage	Ta=40°C, 90%RH, Vcc=5.0V	t=240hr.
Temperature Cycling	-20°C (30min) ~ +70°C (30min)	20 cycles
Soldering Heat	240±5°C	5 sec.

Testing Method

Distance between emitter and detector specifies maximum distance that output waveform satisfies the standard (FIG-1) under the conditions below against the standard transmitter.

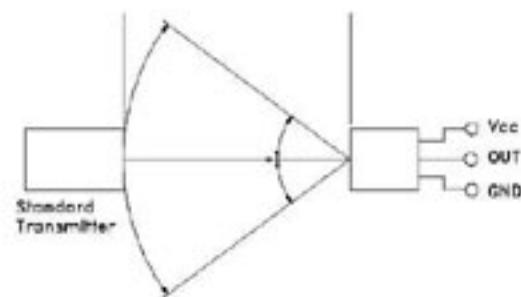


FIG-1

- a. Measuring place
Indoor without extreme reflection of light.
- b. Ambient light source
Detecting surface illumination is 200±5Lux under ordinary white fluorescence lamp of no high frequency lightning.



T_{cycle}-T_d>25ms is recommended for optimal function

- c. Standard transmitter
Transmitter wave indicated in FIG-2 of standard transmitter is arranged to satisfy V_o≥50mVp-p under the measuring circuit specified in FIG-3.

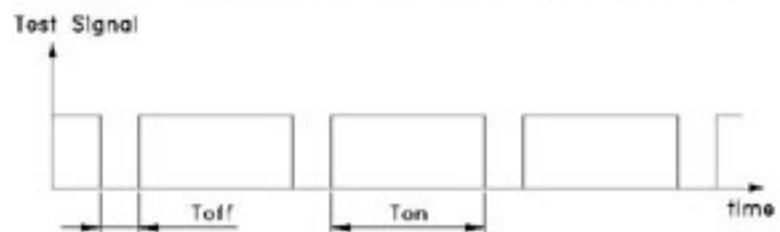


FIG-2

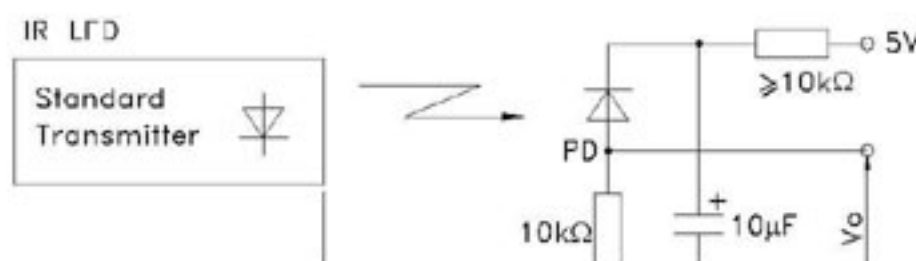


FIG-3 Power output Measurement Circuit